

## OPTICAL DISTRIBUTION FRAME – (PATCHING PANEL)

**Side View**



**Front View**



**Inside View**

**PRODUCT NAME** : Fiber Distribution Panel with 48 core c/w E2K APC Adapter (Swing Type)

**ITEM CODE** : OP - PNL – 3U – 48C – ATDU – SW

**SPECIFICATION** :

- Dimension (L x W x H) mm : 430 x 130 x 295
- Weigh : 6.4kg
- Rack Mounted
- Swing Type
- High – 3U

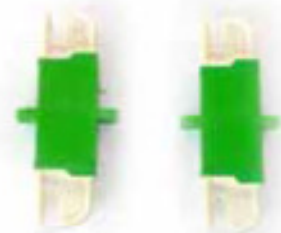
**FEATURES** :

- 48 cores – can accommodate 48 E2K APC Adapter
- The door for adapter is can be open

**APPLICATION** :

- Used in fiber patching
- Used in the patching and passive component
- Proper design for the easily installation and services

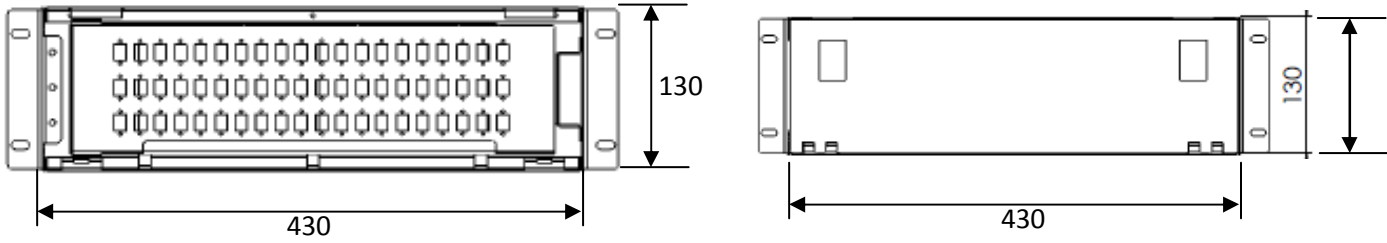
**ACCESSORIES** :



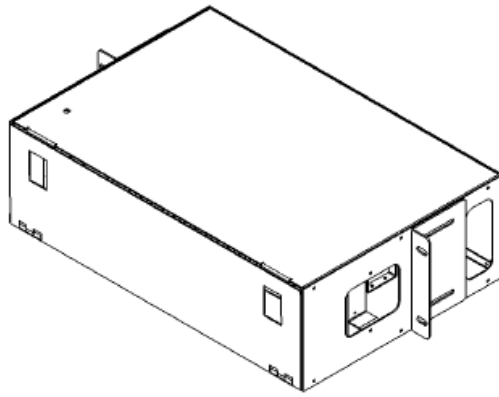
**E2K APC Adapter**

Item	Quantity	Item	Quantity
▪ Patch panel 19" Swing	: 1 Unit	▪ 1 to 48 Paper Sticker	: 1 Unit
▪ E2K Adapter Plate 48 Hole	: 1 Unit	▪ Laser Warning Sticker + Celcom Sticker	: 1 Unit/ each
▪ E2K Adapter APC	: 48 Unit	▪ Made in Malaysia Label	: 1 Unit
▪ Saddle Clip	: 3 Unit	▪ Carton Box	: 1 Unit
▪ Caged Nut	: 4 Unit		

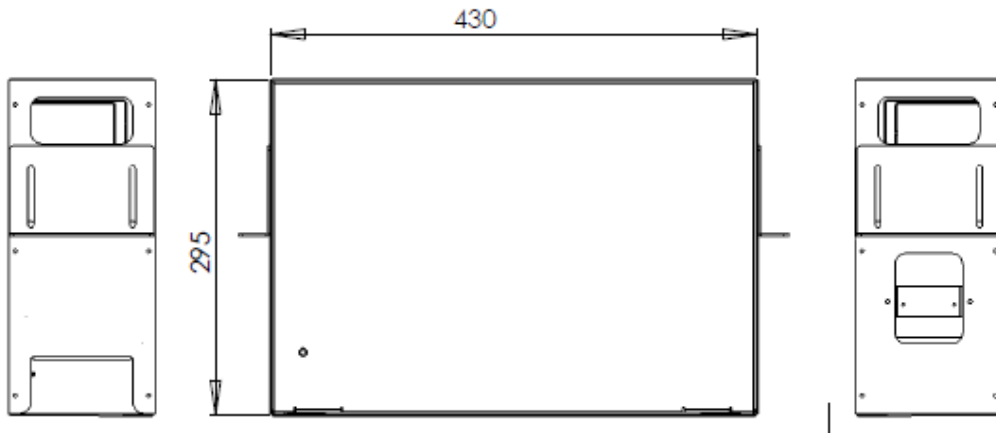
# OPTICAL DISTRIBUTION FRAME – (TECHNICAL DRAWING)



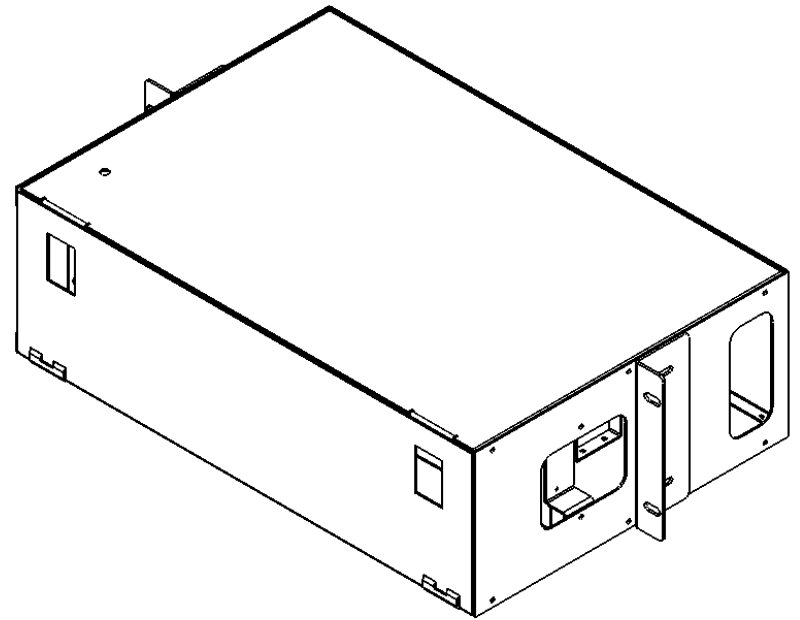
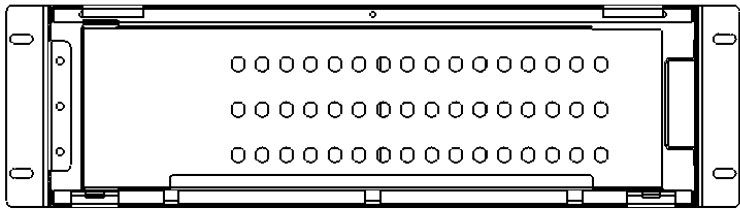
Front View



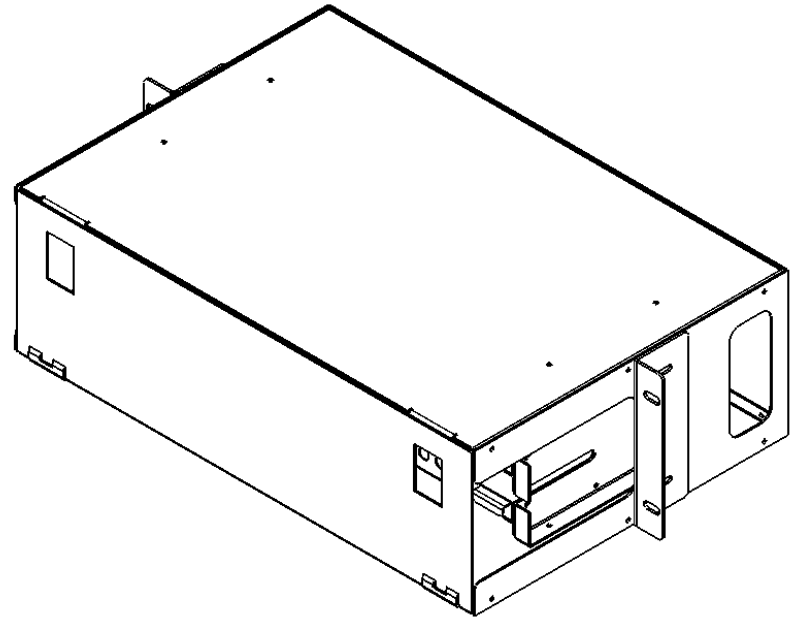
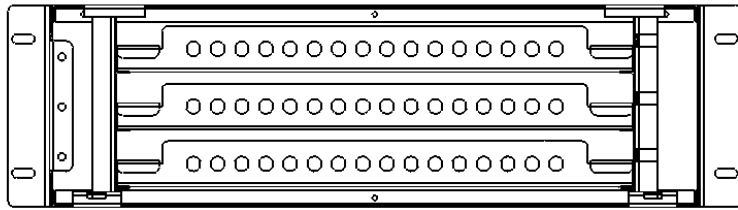
Perspective View



Plan & Side View



19 inch 3u-48c fc type (swing)



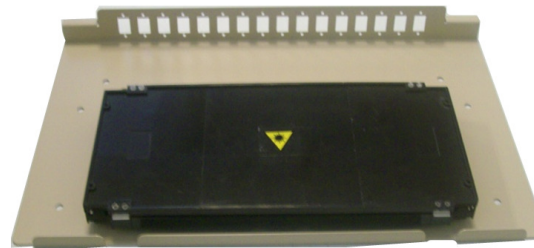
19 inch 3u-48c fc type(sliding)

**OPTICAL DISTRIBUTION FRAME – (TERMINATION PANEL)**

**Side View**



**Front View**



**Inside View**

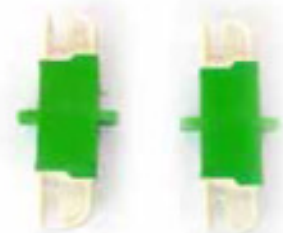
**PRODUCT NAME** : Fiber Distribution Panel with 48 core c/w E2K APC Adapter (Sliding Type)

**ITEM CODE** : OP – PNL – 3U – 48C – ATDU – SL

- SPECIFICATION** :
- Dimension (L x W x H) mm : 430 x 130 x 295
  - Weight : 6.4 kg
  - Rack Mounted
  - Sliding Type
  - High – 3U

- FEATURES** :
- 48 Cores- can accommodate 48 E2K APC Adapter
  - The door for adapter is can be open

- APPLICATION** :
- Used in fiber termination
  - Used in the splicing, patching and passive component
  - Proper design for the easily installation and services

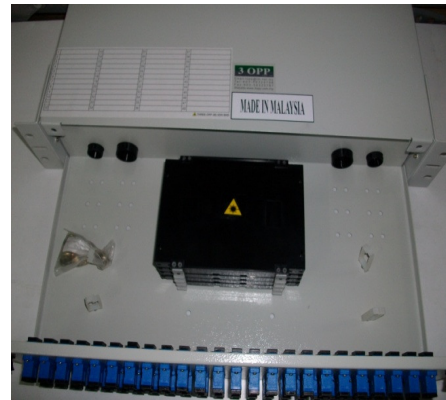


**E2K APC Adapter**

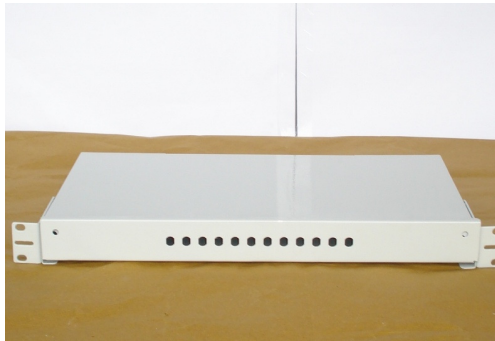
**ACCESSORIES** :

Item	Quantity	Item	Quantity
▪ Patch panel 19" Sliding c/w sliding tray 1 to 16 core	: 3 Unit	▪ 1 to 48 Paper Sticker	: 1 Unit
▪ E2K Adapter APC	: 1 Unit	▪ Laser Warning Sticker + Celcom Sticker	: 1 Unit/ each
▪ Saddle Clip	: 3 Unit	▪ Made in Malaysia Label	: 1 Unit
▪ Caged Nut	: 4 Unit	▪ Splice Tray – 1 port 16 core x 3 unit	: 1 Unit
▪ Carton Box	: 1 Unit		

**FDP-2U-OPTICAL PANELSC 48 CORE**



**FC 1U PANEL 12 CORE (RACK MOUNT)**



**FDP 4U RACK MOUNT 46-96-144 CORE**



**FDP 2U RACK MOUNT**



**FDP (ATDU) RACK MOUNT 2U FC/SC/E2K/ST**



**4U RACK MOUNT 46-96-144 CORE**

